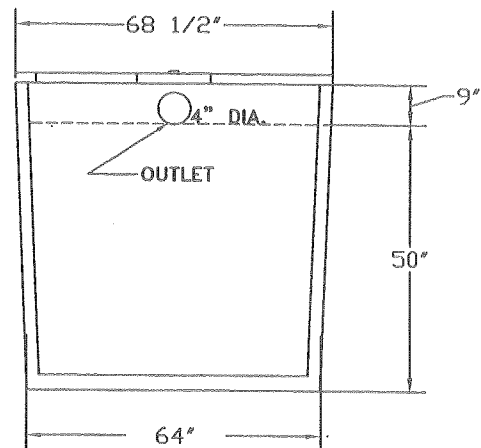


SIDE VIEW



END VIEW

TANK: CATEGORY 4. 4" 1350 GALLON 1 COMPARTMENT TANK REINFORCED WITH FIBER AND #3 STEEL 12" O/C BOTH WAYS. 4" WALLS AND 4" BOTTOM. INLET AND OUTLET RESILIENT CONNECTORS PER ASTM-923-98. CONNECTORS MUST BE USED WITH APPROVED CLAMP. CONNECTOR WILL ACCEPT 4" PVC PIPE.

**LIDS: 4" LID WITH 1-22" ROUND MANHOLE COVER AT EACH END OF TANK
8" LID WITH 1-22" ROUND MANHOLE COVER AT EACH END OF TANK
BOTH LIDS ARE REINFORCED WITH GRADE 60 REBAR.**

TANK & LIDS: 4000 PSI CONCRETE AT 28 DAYS

**IMPRINTED ON INLET END OF TANK:
LEGEND: FSI 1350 STATE APPROVAL NUMBER: 01-011-19S-C4**

**WEIGHTS: TANK ONLY 9,530
TANK & 4" LID 12,504
TANK & 8" LID 15,478**

THIS SEWAGE TREATMENT RECEPTACLE HAS BEEN DESIGNED, CONSTRUCTED AND STRUCTURALLY TESTED IN ACCORDANCE WITH CHAPTER 64E-6.013, FLORIDA ADMINISTRATIVE CODE, (FAC) DATED MARCH 22, 2000

DRAWING NOT TO SCALE

FLORIDA SEPTIC, INC.
P.O. BOX 545
HAWTHORNE, FLORIDA 32640
(800) 940-8265

**MODEL:
4" 1350 GAL. TANK**

**REVISED:
12/12/03**

**APPROVAL DATE:
07/30/01**